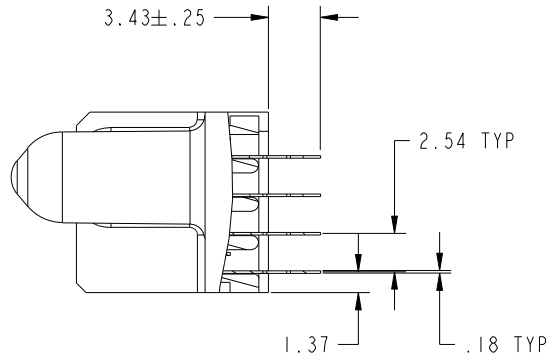


Tous droits strictement reserves. Reproduction ou communication a des tiers interdite sous quelque forme que ce soit sans autorisation ecrite du proprietaire. Propriete de c FCI. Droits de reproduction FCI.

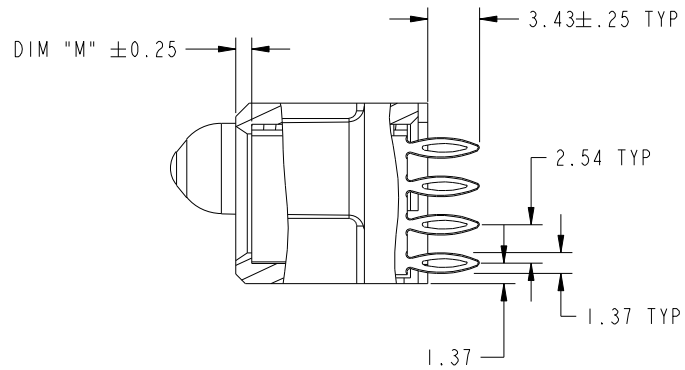
All rights strictly reserved. Reproduction or issue to third parties in any form whatever is not permitted without written authority from the proprietor. Property of FCI. Copyright FCI.



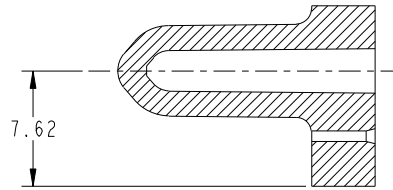
PRODUCT NUMBER
51940-082--
NOTE: 3



SECTION A-A
SCALE 2:1



SECTION B-B
SCALE 2:1



SECTION C-C
SCALE 2:1

mat'l code		SEE NOTE		tolerances unless otherwise specified		CUSTOMER		www.fciconnect.com	
lfr	ecn no.	dr	date	linear	0.X ± 0.5	COPY		title	
C				linear	0.XX ± 0.25	projection		44S + 18P	
				angles	0.XXX ± 0.10			VERTICAL PRESS-FIT RECEPT	
				dr	0° ± 2°			product family	
				enr	T. BRUNGARD 03/17/04	MM		PwrBlade	
				chr	M. GRAY 03/17/04	1:1		code	
				appd	M. GRAY 03/17/04	A		213	
sheet index	revision sheet					size		sheet	
						51940-082		2	
						cage code			
						22506			

A

A

B

B

1 | 2

3

4

1 | 2

Pro/E

PDM: Rev: C

STATUS: Released

Printed: Sep 26, 2008

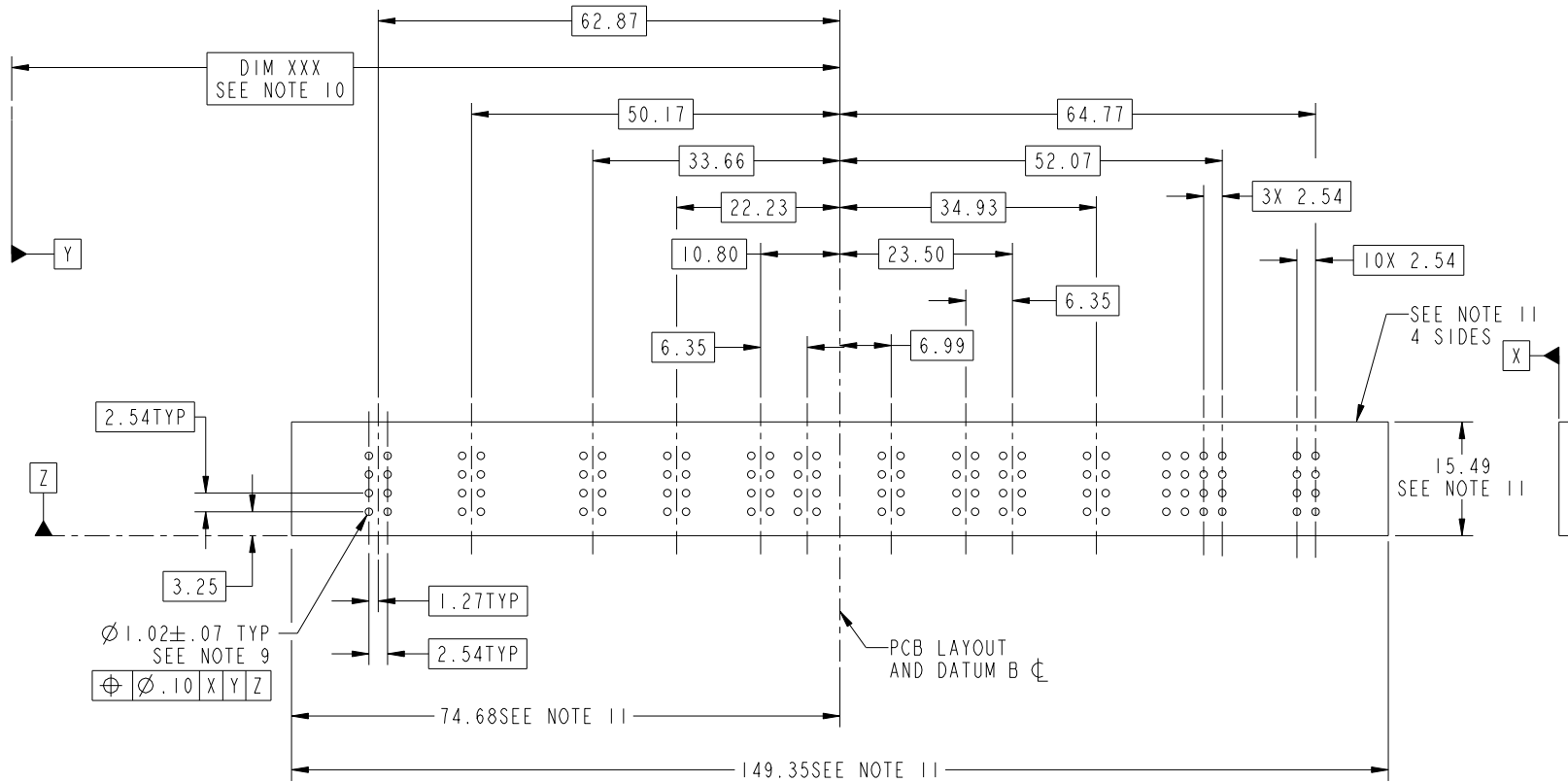
Tous droits strictement réservés. Reproduction ou communication a des tiers interdite sous quelque forme que ce soit sans autorisation écrite du propriétaire. Propriété de c.FCI. Droits de reproduction FCI.

All rights strictly reserved. Reproduction or issue to third parties in any form whatever is not permitted without written authority from the proprietor. Property of FCI. Copyright FCI.



PRODUCT NUMBER

51940-082--
NOTE: 3



RECOMMENDED PCB LAYOUT

mat'l code		SEE NOTE		tolerances unless otherwise specified		CUSTOMER		 www.fciconnect.com	
lfr	ecn no.	dr	date	linear	0.X ±0.5	COPY		title	
C				linear	0.XX ±0.25	projection		44S + 18P	
				angles	0.XXX ±0.10			VERTICAL PRESS-FIT RECEPT	
				dr	0° ±2°	MM		product family PwrBlade	
				enrg	T. BRUNGARD 03/17/04	scale		code	
				chr	M. GRAY 03/17/04	1:1		213	
				appd	M. GRAY 03/17/04	A		sheet	
sheet index		revision sheet		size		dwg no		3	
				A		51940-082			

cage code 28556

Pro/E

PDM: Rev: C

STATUS: Released

Printed: Sep 26, 2008



PRODUCT NUMBER
51940-082--
NOTE: 3

NOTES:

1. DIMENSIONS AND TOLERANCES ARE IN ACCORDANCE WITH ASME Y14.5M, 1994 UNLESS OTHERWISE SPECIFIED.

CONNECTOR NOTES:

2 HOUSING MATERIAL: UL 94 V-0 GLASS FILLED HIGH-TEMP THERMOPLASTIC
POWER CONTACT MATERIAL: COPPER ALLOY
SIGNAL PIN MATERIAL: COPPER ALLOY

3 PLATING:
SEE ITEM 7 & 8 IN PRINT 10064183 FOR PLATING SPEC OF 51940-082; 51940-082LF RESPECTIVELY.

4 MANUFACTURER'S NAME, P/N, AND DATE CODE TO APPEAR ON THIS SURFACE.

5. PRODUCT SPECIFICATION GS-12-149.
APPLICATION SPECIFICATION BUS-20-067.

6. PACKAGED IN TRAYS.

PCB NOTES:

7. ALL HOLE DIAMETERS ARE FINISHED HOLE SIZE.

8 MOUNTING HOLES, WHERE APPLICABLE, ARE UNPLATED.

9 $\varnothing 1.151 \pm 0.025$ DRILLED HOLES PLATED WITH 0.008 MIN SnPb OR Sn OVER 0.03 TO 0.08 Cu PLATING TO ACHIEVE $\varnothing 1.02 \pm 0.07$ HOLE.

10 "DIM XXX" TO BE DETERMINED BY THE CUSTOMER.

11 CONNECTOR KEEP-OUT ZONE.

12. A Δ SYMBOL WILL BE NEXT TO ANY DIMENSION, VIEW, OR NOTE WHICH HAS BEEN MODIFIED WITH THE CURRENT DRAWING REVISION.

13. THE VOID CORING IN BETWEEN POWER MODULES, SIGNAL MODULES AND END MODULES ARE OPTIONAL AND THE SHAPE MAY BE DIFFERENT FOR OPTIMIZING THE MOLDING PROCESS. THE VOID CORING WILL NOT EFFECT TO PRODUCT FUNCTION.

mat'l code		SEE NOTE		tolerances unless otherwise specified		CUSTOMER		www.fciconnect.com	
lir	ecn no.	dr	date	linear	0.X ± 0.5	COPY		title	
C					0.XX ± 0.25	projection		44S + 18P	
				angles	0.XXX ± 0.10			VERTICAL PRESS-FIT RECEIPT	
					0° $\pm 2^\circ$			product family PwrBlade code	
				dr	T. BRUNGARD 03/17/04	MM		size dwg no	
				enrg	M. GRAY 03/17/04			213	
				chr	M. GRAY 03/17/04	scale		sheet	
				appd	M. GRAY 03/17/04	1:1		4	
sheet index	revision sheet							A 51940-082	

A

A

B

B